

Model #: RHS1616

Design Criteria: Structure is typically designed for a 25 lb live load and a 90 mph wind load capacity, but can be designed based on specific site requirements upon request. All structural members are ASTM A-500 U.S. grade B steel. Welded connection plates shall be ASTM A-36 hot rolled steel. All fabrication performed to latest AISC standards by AWS Certified welders. All framing connections are done using A325 grade bolts within concealed access openings from above and will later be concealed by the roofing. All roof framing shall be flush against the roof decking to eliminate the possibility of bird nesting.

Tubular Steel Columns and Beams: Standard column dimension shall be 5" x 5" x 3/16" tubular steel welded to 5/8" base plates for surface mounting. Main support beams are 7" x 5" x 3/16" and purlins are 5" x 3" x 1/8". Steel sizes are preliminary and may change due to ongoing review and final engineering.

Roofing: 24 Ga. pre-cut steel Multi-Rib panels with Kynar 500 finish in a variety of colors with white underside. Standard roof slope is a 6/12 pitch with a eave height of 7'-6". Attached to structural framing with exposed self tapping screws painted to match roof color. Matching 24 Ga. trim included.

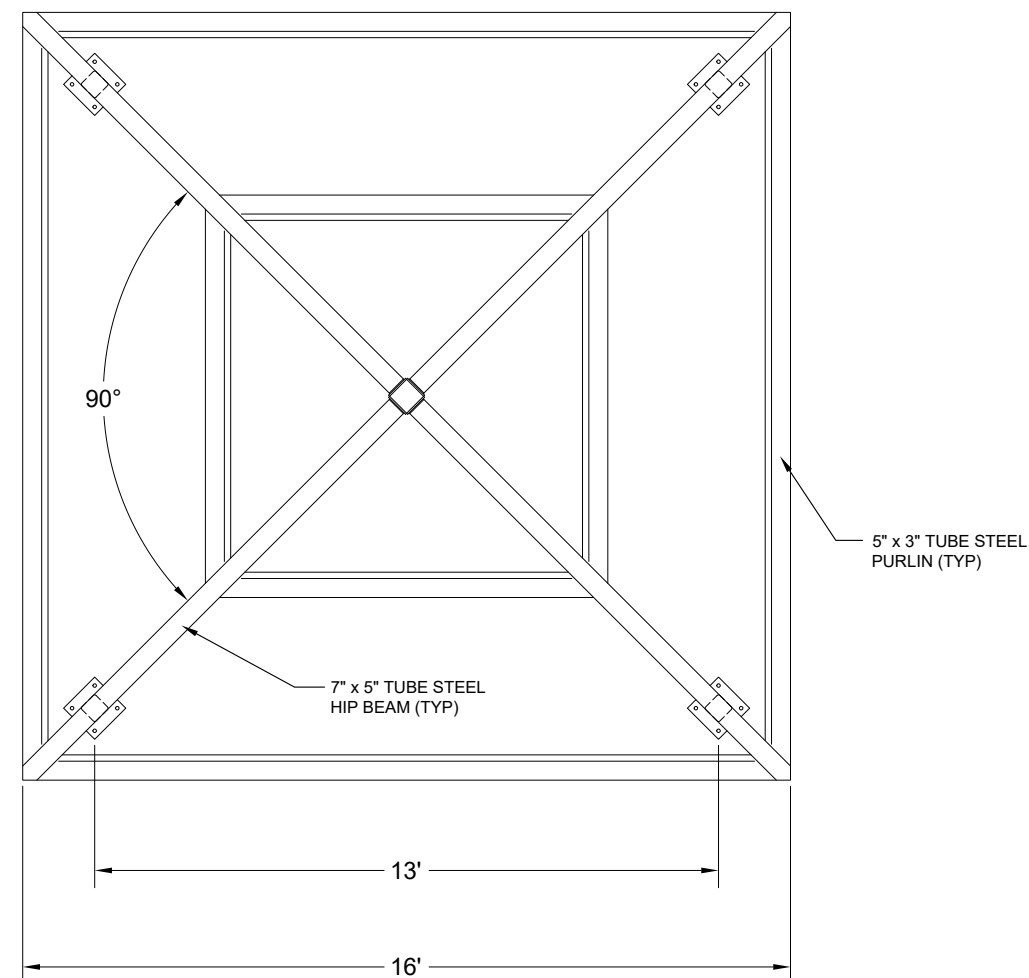
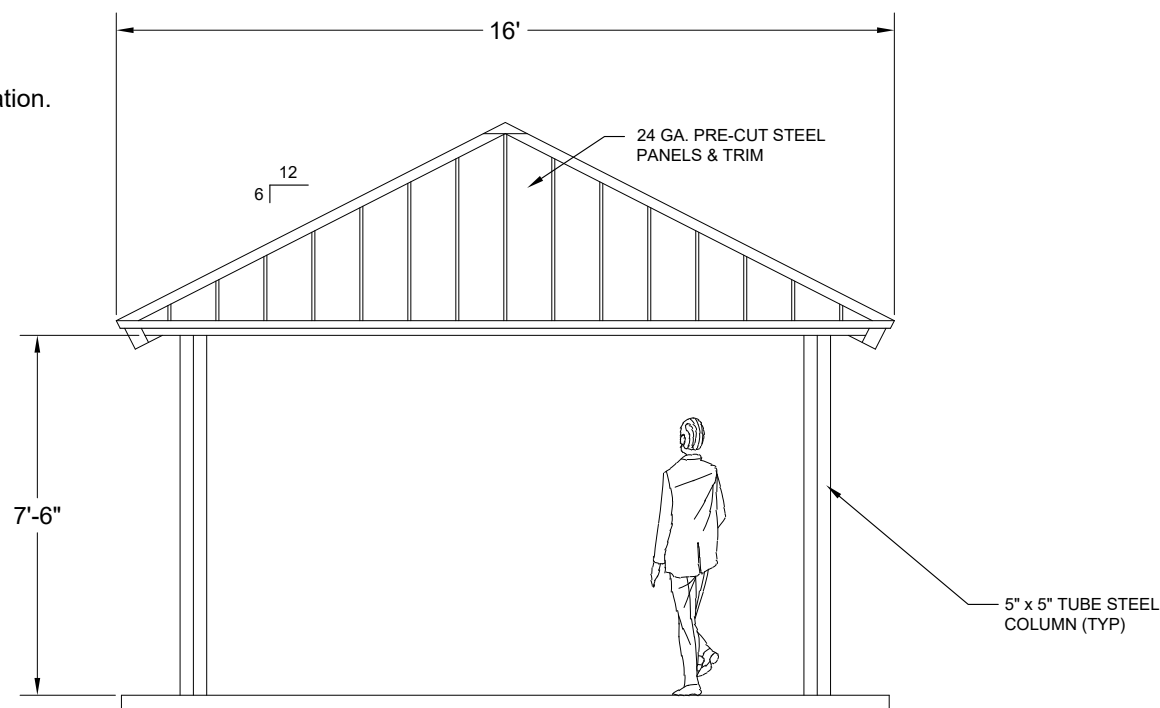
Frame Finish: All steel framework will receive a corrosion protective TGIC Polyester powder coat, electro-statically applied and cured at 400°F. A large selection of standard colors are available.

Foundation: All columns need to be anchored to concrete footings (footing design provided separately). Columns can be surface mounted to footings with anchor bolts at or below finish slab elevation or they can be embedded directly into the footing without base plates upon request. Anchor bolts and bracing templates are included. Optional base plate covers are available at an additional cost.

Hardware: All structural hardware and roofing fasteners shall be provided.

Warranty: 10 years against manufacturer defects.

Not Included: Concrete work of any kind, unloading of product and installation.



5 HLUW a Ybh7



Minnesota / Wisconsin Playground
 5101 Highway 55, Suite 6000
 Golden Valley, Minnesota 55422
 Ph. 800-622-5425 | 763-546-7787
 Fax 763-546-5050 | harlan@mnwiplay.com

06/23/2022
 Quote #
 102756-01-01

CONSULTANT: HARLAN LEHMAN

Steel Shelter

City of Arden Hills
 Attn: David Swearingen
 1245 West Highway 96
 Arden Hills, MN 55112
 Phone: 651 792 7847
 dswearingen@cityofardenhills.org

Ship to Zip 55112

Quantity	Part #	Description	Unit Price	Amount
1	Lump Sum RHS	Cedar Forest Products - 16' x 16' Steel Shelter-	\$12,259.00	\$12,259.00
<p>Price Includes:</p> <ul style="list-style-type: none"> • Roof pitch is 4:12, designed for a standard 30 PSF live load & 90 MPH wind speed • Powder coated steel frame • 24 ga. multi-rib metal roofing • Zinc plated fasteners • Tubular steel frame utilizes hidden bolts & fasteners where possible <p><u>OPTIONS</u></p> <p>MN Stamped Engineering Drawings \$800.00 T & G Roof Decking \$3,768.00 Assemble 16 x 16 shelter \$6,816.99 Add T and G Labor \$2,130.00 Concrete footings & 20' x 20' 5" thick slab with 2' sonotubes & rebar \$14,894.00</p>				
			Sub Total	\$12,259.00
			Freight	\$3,700.00
			Total	\$15,959.00

Comments

*Does NOT include:
 Unloading, permits, gutters or downspouts

This quotation is subject to current Minnesota/Wisconsin Playground (MWP) policies as well as the following terms and conditions. Our quotation is based on shipment of all items at one time to a single destination, unless noted, and changes are subject to price adjustment. Purchases in excess of \$1,000.00 to be supported by your written purchase order made out to Minnesota/Wisconsin Playground.

Each quote is handled on a per order/project basis. Unless a long-term agreement is in place between purchaser and MWP, terms and conditions of this quotation shall be as outlined herein with no other requirements applicable.

Indemnification: Owner/Owner's Representative will indemnify and hold Minnesota Playground, Inc., dba, Minnesota Wisconsin Playground (MWP), harmless for all claims, damages and related costs, including reasonable legal fees and costs, arising out of Owner/Owner's Representative's negligence or noncompliance with any of its commitments under this document. MWP will indemnify and hold Owner/Owner's Representative harmless for all claims, damages and related costs, including reasonable legal fees and costs, arising out of MWP's negligence or noncompliance with any of its commitments under this document.

Excusable Delays/Additional Costs: MWP, and/or its affiliates, shall be liable for default unless delay of performance, whether supplying materials only or including installation in accordance with our project scope, is caused by an occurrence beyond reasonable control of MWP, and/or its affiliates, such as, but not limited to, acts of Superior Force or the public enemy, acts of Government in either its sovereign or contractual capacity, fire, floods, epidemics, quarantine restrictions, strikes, unusually severe weather, delays of common carriers (for transportation of goods whether raw materials or finished product) and attainability of raw materials. Such events resulting in additional costs are not included in quoted amounts and shall be the responsibility of the Owner/Owner's Representative. Any additional costs shall be provided in writing for purchaser's records and shall be due upon payment of invoice.

Pricing: f.o.b. factory, firm for 15 days from date of quotation. If placing an order after expiration of quote, please contact our office for updated pricing. A tax-exempt certificate is needed at time of order entry for all orders whether from tax-supported government agencies or not. Sales tax, if applicable, will be added at time of invoice unless a tax exempt certificate is provided at time of order entry.



Minnesota / Wisconsin Playground
5101 Highway 55, Suite 6000
Golden Valley, Minnesota 55422
Ph. 800-622-5425 | 763-546-7787
Fax 763-546-5050 | harlan@mnwiplay.com

06/23/2022
Quote #
102756-01-01

CONSULTANT: HARLAN LEHMAN

Steel Shelter

Pricing: f.o.b. factory, firm for 30 days and must be re-priced after this time. A tax-exempt certificate is needed at time of order entry for all orders whether from tax-supported government agencies or not. Sales tax, if applicable, will be added at time of invoice unless a tax exempt certificate is provided at time of order entry.

Cedar Forest Products Shipment: order shall ship within **(OPTION A for WOOD - eight to ten weeks)** **(OPTION B for METAL - ten to twelve weeks)** after MWP's receipt and acceptance of your purchase order, color selections, preparation/creation of "stamped" drawings, if required, approved submittals and receipt of deposit/full payment, if required. Receipt of anything other than what is stated herein will not constitute an order and therefore no materials will be placed into production nor installation, if required, will be scheduled.

Exclusions: unless specifically included, this quotation excludes all site work and landscaping; removal of existing equipment; acceptance of equipment and off-loading; storage of goods prior to installation; equipment assembly and installation; safety surfacing; borders and drainage provisions.

Order Information:

Bill To: _____ Ship To: _____

Company: _____ Project Name: _____

Attn: _____ Attn: _____

Address: _____ Address: _____

City, State, Zip: _____ City, State, Zip: _____

Contact: _____ Contact: _____

Tel: _____ Tel: _____

Fax: _____ Fax: _____

Acceptance of quotation:

Accepted By (printed): _____ P.O. No: _____

Signature: _____ Date: _____

Title: _____ Phone: _____

Facsimile: _____ Purchase Amount: **\$15,959.00**