



QUOTATION

| | | | |
|---|---------------------------------|--|---------------|
| Ship To: CITY OF ARDEN HILLS PUBLIC WORKS 1245 HWY 96 WEST ARDEN HILLS MN 55112 USA | Cust: 9 Phone: | Bill To: MONROE TOWMASTER, LLC 61381 US HWY 12 CONTRACT: 189154 LITCHFIELD MN 55355 USA | Phone: |
|---|---------------------------------|--|---------------|

ATTN: TERRY VANDERWERF

| PO# | Salesman | Terms | Created | Last Revised | Appx Comp |
|-----|----------------|-------|---------|--------------|-----------|
| | JESSICA NELSON | COD | 5/09/22 | 5/09/22 | 0/00/00 |

| | |
|-------------------|------------------------------------|
| Serial No. | Discounts: 15.00% .00% .00% |
|-------------------|------------------------------------|

| | |
|---------------------------|----------------------------------|
| Build Instructions | CUSTOMER INFO. |
| | Thomas Mikacevich |
| | City of Arden Hills Public Works |
| | Fleet Management Lead |
| | TMikacevich@cityofardenhills.org |
| | 651-755-0221 |

STATE BID QUOTE

| Qty | Feature | Description | List |
|-----|--|-------------|-------------|
| 1 | Base Model - T-12D | | \$12,300.00 |
| | 20 Deck Length - In Feet | | |
| | 20 Decking Type - 2'' Nominal Oak | | |
| | 1 Width - 102" Overall with 82" Deck | | |
| 1 | Beavertail - 3' Wood Top (10 Degree) w/ 5' Ramps | | \$810.00 |
| 2 | Axles - 7k E-Z lube Torflex | | |
| 2 | Brakes - Electric | | |
| 4 | Tires - 235/85Rx16(F) MIN PLY RATING E | | |
| 4 | Wheels - White Mod | | |
| 1 | Jack - 12K Drop Leg | | |
| 1 | Lights - L.E.D. | | |
| 1 | Plug - 7 Pole Rv | | |

---- Continued ----

NOTE: If changes are made to an order after a P.O. has been issued, a fee may be assessed and a revised or new P.O. MUST BE submitted to reflect changes.

FET required on all trailers with a GVWR OF 26,000 lbs or more.

Accepted by _____ Date _____

Price:

Total Discounts:

Net Cost:

Freight

Material Surcharge:

Total Due:



Reference No.
QT 73328

QUOTATION

| | | | | | |
|----------------------------------|--------------|----------|---------------|-----------------------|---------------|
| Ship To: | Cust: | 9 | Phone: | Bill To: | Phone: |
| CITY OF ARDEN HILLS PUBLIC WORKS | | | | MONROE TOWMASTER, LLC | |
| 1245 HWY 96 WEST | | | | 61381 US HWY 12 | |
| | | | | CONTRACT: 189154 | |
| ARDEN HILLS | | MN 55112 | USA | LITCHFIELD | MN 55355 USA |

ATTN: TERRY VANDERWERF

| PO# | Salesman | Terms | Created | Last Revised | Appx Comp |
|-------------------|--|-------------------|-----------------|--------------|-------------|
| | JESSICA NELSON | COD | 5/09/22 | 5/09/22 | 0/00/00 |
| Serial No. | | Discounts: | 15.00% | .00% | .00% |
| Qty | Feature | Description | List | | |
| 1 | Hitch/Neck - 2.5'' | Pintle Ring | | | |
| 2 | Ramps - 5' Full Width Mesh Top (flat bar hold-up only) | | \$895.00 | | |
| 1 | Ramp Color - Equipment Red | | | | |
| 1 | Trailer Color - Equipment Black | | | | |
| 8 | Tie Downs - D-Rings | | | | |
| 1 | Option - Tool Box Lid | | \$125.00 | | |
| Freight | | | \$243.00 | | |

NOTE: If changes are made to an order after a P.O. has been issued, a fee may be assessed and a revised or new P.O. MUST BE submitted to reflect changes.

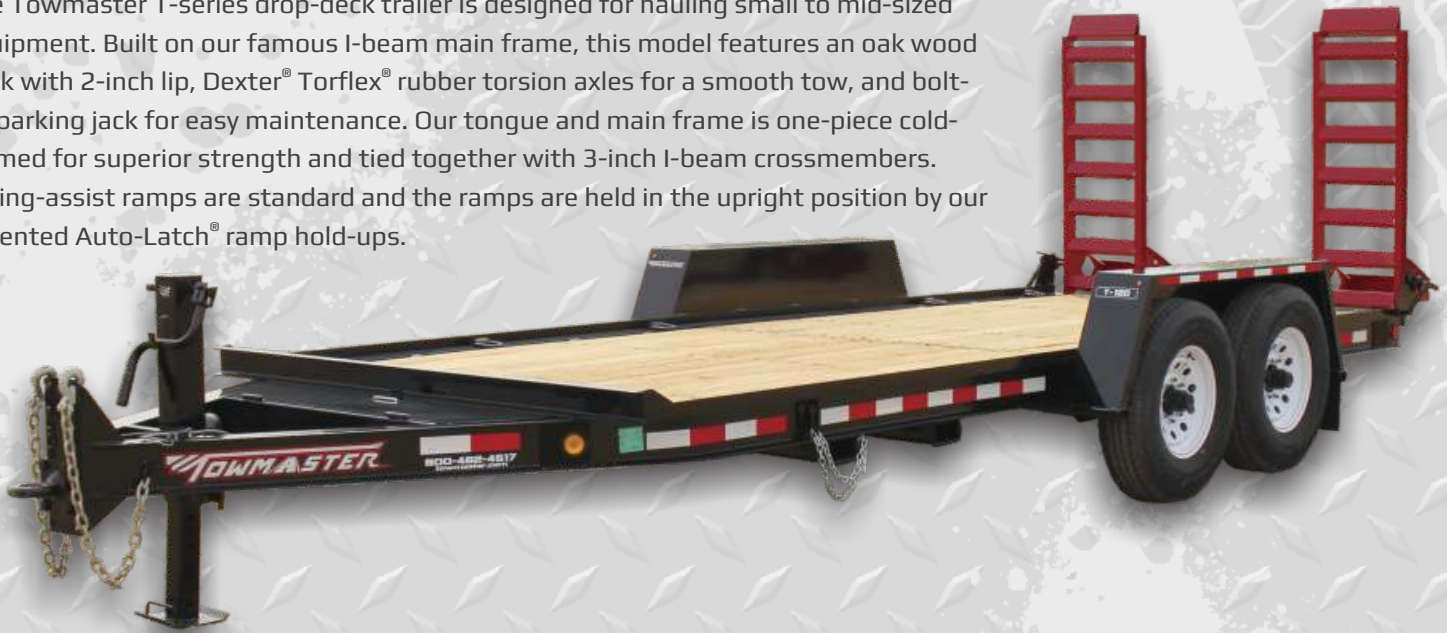
FET required on all trailers with a GVWR OF 26,000 lbs or more.

Accepted by _____ Date _____

| | |
|----------------------------|--------------------|
| Price: | \$14,130.00 |
| Total Discounts: | \$2,119.50 |
| Net Cost: | \$12,010.50 |
| Freight | \$243.00 |
| Material Surcharge: | |
| Total Due: | \$12,253.50 |

T-9D / T-10D / T-12D

The Towmaster T-series drop-deck trailer is designed for hauling small to mid-sized equipment. Built on our famous I-beam main frame, this model features an oak wood deck with 2-inch lip, Dexter® Torflex® rubber torsion axles for a smooth tow, and bolt-on parking jack for easy maintenance. Our tongue and main frame is one-piece cold-formed for superior strength and tied together with 3-inch I-beam crossmembers. Spring-assist ramps are standard and the ramps are held in the upright position by our patented Auto-Latch® ramp hold-ups.



Sealed battery break-away system charges while plugged into the tow vehicle and can be checked at the press of a button.



Formed frame and tongue provide a strong and integral structure for the trailer. The Towmaster "T-Series" has a squared-deck and 2" lip.



Strong, channel side ladder-style ramps with patented Auto-Latch® ramp hold-ups.

Quick Specs:

- 2" nom. white oak deck
- 14', 16', 18', or 20' deck
- One-piece formed fender and inner panel
- 19" deck height (loaded)
- Dexter® Torflex® axles w/EZ Lube
- Auto-Latch ramp hold-ups
- 82" between fenders
- Forward adjusting electric brakes
- Grommet mounted LED lights



Photos may show optional equipment.

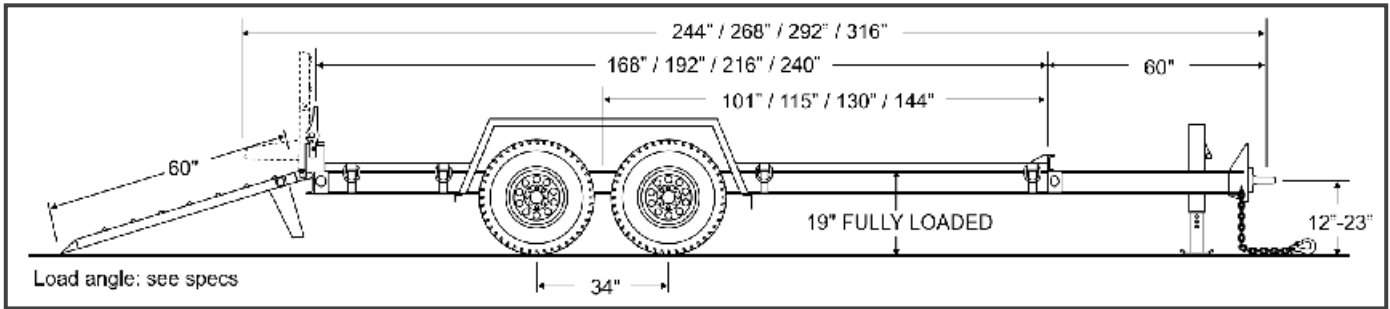
AMERICA'S BEST BUILT TRAILERS FOR PROFESSIONAL HAULERS



800-462-4517
TOWMASTER.COM



MORE MODELS • MORE OPTIONS • MORE CHOICES
DROP-DECK • TILT BED • DECK-OVER • GOOSENECK • LOWBOY • HYDRAULIC TAIL


SPECIFICATIONS

S=Standard O=Optional

| CAPACITY / DIMENSIONS | T-9D | T-10D | T-12D |
|---|-------------------|-------------------|----------------------|
| Approx. Payload (lbs/kg) | 6,890 / 3125 | 10,000 / 4536 | 12,000 / 5443 |
| GVWR (lbs/kg) | 9,990 / 4531 | 13,100 / 5942 | 15,100 / 6849 |
| GAWR (lbs/kg) | 14,000 / 6350 | 14,000 / 6350 | 14,000 / 6350 |
| *Approx. Avg. Weight (lbs/kg) | 3,100 / 1406 | 3,100 / 1406 | 3,100 / 1406 |
| Overall Length – 14' (ft-in/mm) | 20-4 / 6198 | 20-4 / 6198 | 20-4 / 6198 |
| Overall Length – 16' (ft-in/mm) | 22-4 / 6807 | 22-4 / 6807 | 22-4 / 6807 |
| Overall Length – 18' (ft-in/mm) | 24-4 / 7417 | 24-4 / 7417 | 24-4 / 7417 |
| Overall Length – 20' (ft-in/mm) | 26-4 / 8027 | 26-4 / 8027 | 26-4 / 8027 |
| Deck Height (loaded)(in/mm) | 19 / 483 | 19 / 483 | 19 / 483 |
| Overall Width (ft-in/mm) | 8-6 / 2591 | 8-6 / 2591 | 8-6 / 2591 |
| Load Width (in/mm) | 82 / 2083 | 82 / 2083 | 82 / 2083 |
| TONGUE | | | |
| Tongue Length 5'-0" (1524mm) | S | S | S |
| One-Piece Cold-Formed Tongue / Frame | S | S | S |
| Pintle Ring (in) | 2.5 | 2.5 | 2.5 |
| 3/8" High-Tensile Safety Chain x 40" | Grade 43 | Grade 43 | Grade 43 |
| Bolt-on Drop-Leg Parking Jack | 7K | 7K | 12K |
| FRAME / RAMPS | | | |
| Main Beam | W6 Beam | W6 Beam | High-Tensile W6 x 12 |
| Crossmembers | 3" Jr I-beam | 3" Jr I-beam | 3" Jr I-beam |
| Headboard Height (in / mm) | 3 / 76 | 3 / 76 | 3 / 76 |
| Deck | 2" nom. White Oak | 2" nom. White Oak | 2" nom. White Oak |
| Deck Lip (in / mm) | 2 / 51 | 2 / 51 | 2 / 51 |
| 12 ga. One-piece formed fenders and inner panel | S | S | S |
| Ramps (Ladder Style) Length x Width (ft-in x in/mm) | 5-0x18 / 1524x470 | 5-0x18 / 1524x470 | 5-0x18 / 1524x470 |
| Load Angle (degrees) | 17 | 17 | 17 |
| Ramp Spring-Assist | S | S | S |
| Ramp Hold-ups | Auto-Latch | Auto-Latch | Auto-Latch |
| Tie Downs | D-ring | D-ring | D-ring |
| Number of Tie-Downs (Total / Side) | 8 / 4 | 8 / 4 | 8 / 4 |
| SUSPENSION / TIRES | | | |
| Rubber-Ride Axles w/Warranty | S | S | S |
| Axle Capacity (each) (lbs/kg) | 7,000 / 3175 | 7,000 / 3175 | 7,000 / 3175 |
| Axle Spread (in/mm) | 34 / 864 | 34 / 864 | 34 / 864 |
| Hubs | E-Z Lube | E-Z Lube | E-Z Lube |
| Electric Brakes w/Forward Adjust | S | S | S |
| Brake Size (in/mm) | 12x2 / 305x51 | 12x2 / 305x51 | 12x2 / 305x51 |
| Battery Break-Away Kit with Tow Charger | S | S | S |
| Wheels (in/mm) | 16x6 / 406x152 | 16x6 / 406x152 | 16x6 / 406x152 |
| Wheel Bolt Pattern | 8-bolt | 8-bolt | 8-bolt |
| Tires / Load Range Rating | 235/85R16 / E | 235/85R16 / E | 235/85R16 / E |

STANDARD EQUIPMENT

- Adjustable hitch height
- RV electrical plug
- Weather resistant sealed modular wiring
- Grommet mounted LED lights
- Registration holder
- Rust inhibiting primer
- Durable, rust inhibiting top coat
- Die-cut UV resistant vinyl decals
- D.O.T. approved conspicuity tape
- Mud flaps
- Adjustable ramp width spacing
- Trailer color: Equipment black
- Ramp color: Equipment red

OPTIONAL EQUIPMENT

- Hydraulic surge brakes
- 3" pintle ring or 2-5/16" ball coupler
- Gooseneck hitch
- 6-pole round electrical plug
- Storage tray lid
- Pallet fork holders
- 8K electric winch
- Additional tie-downs
- 3 ft. beavertail (comes with 4 ft. ramps)
- Spare tire and wheel mount
- Spare tire and wheel
- Tire upgrades available on select models
- Solid-bar ramp hold up
- Several ramp options available
- Color options: Construction Yellow, Equipment Red, Blue, Charcoal
- Galvanizing



Other options may be available. Ask your dealer or visit our website.

*Payload capacity is calculated by taking the GVWR and subtracting the trailer weight. Listed GVWR, weights, and dimensions are for reference only. Manufacturer reserves the right to change models and specifications as they see fit. See our web site or your local authorized dealer for more information.